


# PRODUCT SHEET

## Description:

Screw-In Bushing M-408, M4x8mm, Steel, BZP, Hex 5mm, Low Profile, Ideal for HPL Plates

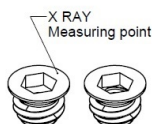
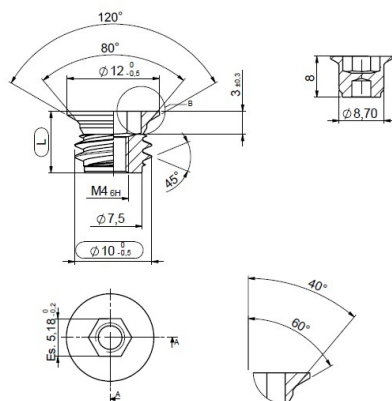
## Item number:

12.10.250-0

Units	Box	Carton	HS Code	Barcode
Pcs.	1	5000	7318190090	
				5704866478922



General Tolerances EN 22768-1 (ISO 2768-1)					
Class	0,5 - 3mm	> 3 - 6mm	> 6 - 30mm	> 30 - 120mm	> 120 - 400mm
m	±0,1	±0,1	±0,2	±0,3	±0,5
c	±0,2	±0,3	±0,5	±0,8	±1,2



L	tol.	Ind.
8	± 0,3	008
10	+0 / -0,5	010

## SISO A/S

Mileparken 11  
DK-2740 Skovlunde  
Denmark  
VAT: DK 24786013

Phone +45 45 830 900

www.siso.dk  
siso@siso.dk

Danske Bank  
Nytorv Branch  
Copenhagen  
SWIFT: DABADKKK

Account no.  
4180 3112 112936  
IBAN Account  
DK7230003112112936